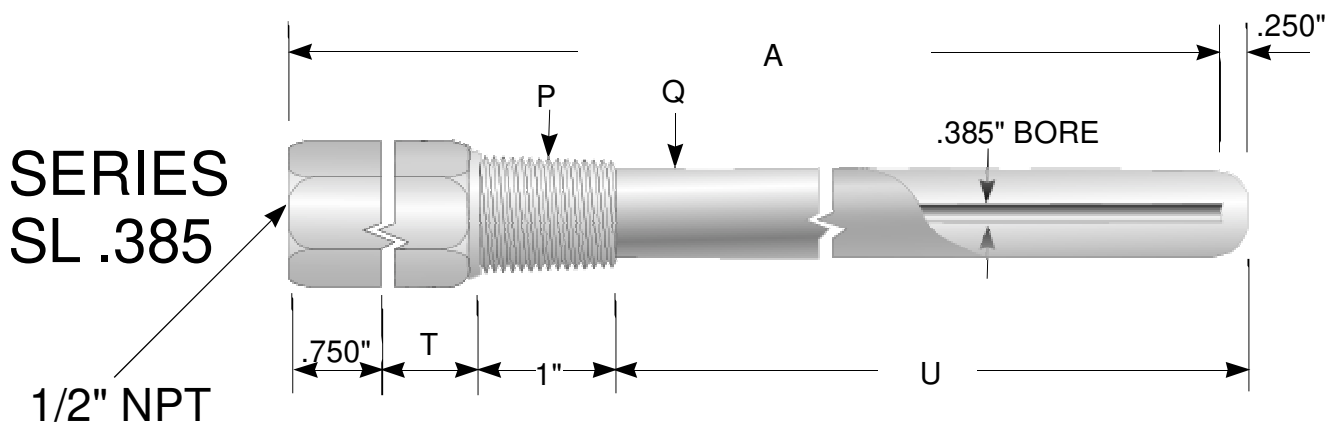
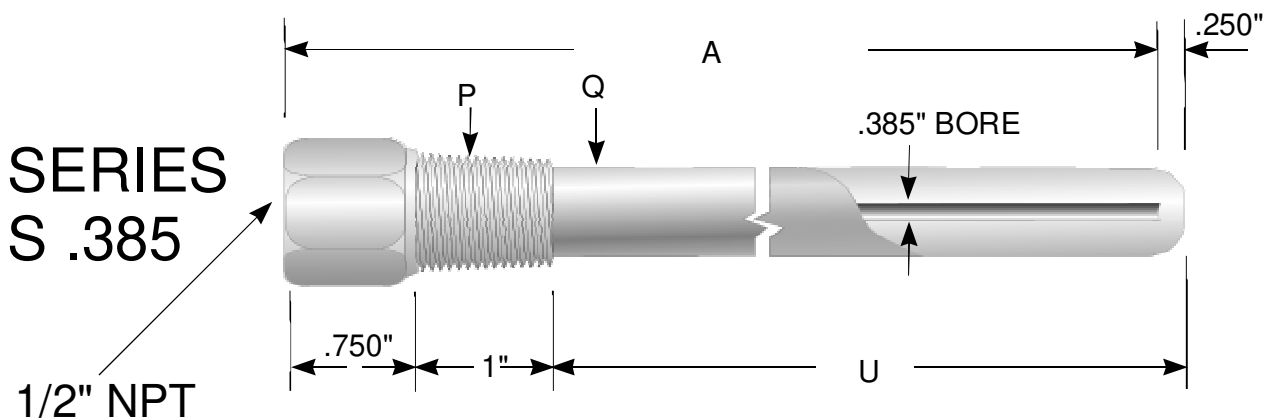


STI MANUFACTURING, INC.

STANDARD THREADED THERMOWELLS



SERIES S .385

EXTERNAL THREAD P	CODE NUMBER	INSERT LENGTH U	STEM LGTH A	SHANK DIA Q
3/4" NPT	3/4"-S .385-U 2 1/2	2-1/2"	4"	49/64"
		4-1/2"	6"	49/64"
		7-1/2"	9"	49/64"
		10-1/2"	12"	49/64"
		13-1/2"	15"	49/64"
		16-1/2"	18"	49/64"
1" NPT	1"-S .385-U 2 1/2	2-1/2"	4"	7/8"
		4-1/2"	6"	7/8"
		7-1/2"	9"	7/8"
		10-1/2"	12"	7/8"
		13-1/2"	15"	7/8"
		16-1/2"	18"	7/8"
22-1/2"	24"	7/8"		

SERIES SL .385

EXTERNAL THREAD P	CODE NUMBER	INSERT LENGTH U	STEM LGTH A	LAG EXT. T	SHANK DIA Q
3/4" NPT	3/4"-SL .385-U 2 1/2	2-1/2"	6"	T2	49/64"
		4-1/2"	9"	T3	49/64"
		7-1/2"	12"	T3	49/64"
		10-1/2"	15"	T3	49/64"
		13-1/2"	18"	T3	49/64"
		16-1/2"	24"	T3	49/64"
1" NPT	1"-SL .385-U 2 1/2	2-1/2"	6"	T2	7/8"
		4-1/2"	9"	T3	7/8"
		7-1/2"	12"	T3	7/8"
		10-1/2"	15"	T3	7/8"
		13-1/2"	18"	T3	7/8"
		16-1/2"	24"	T3	7/8"