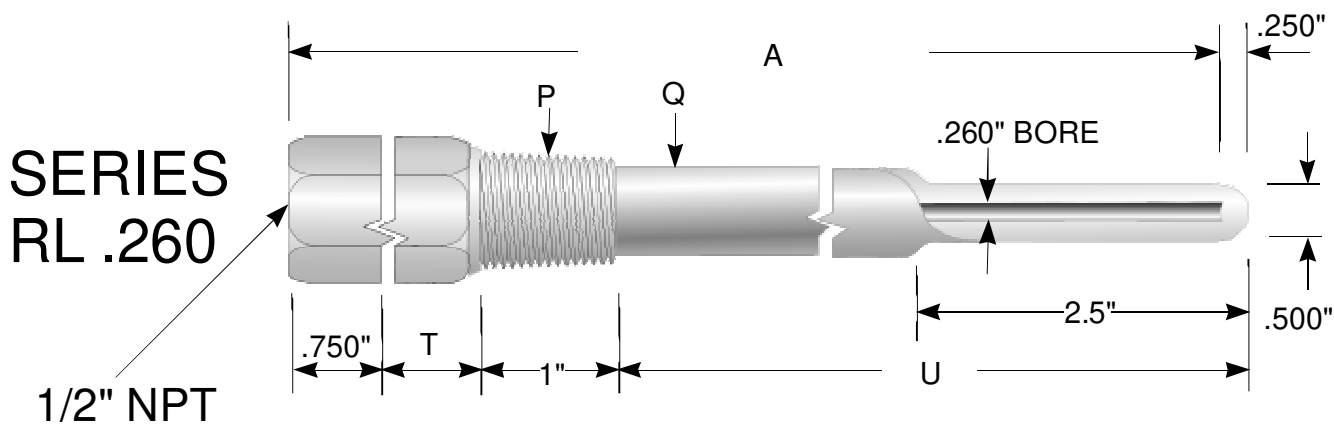
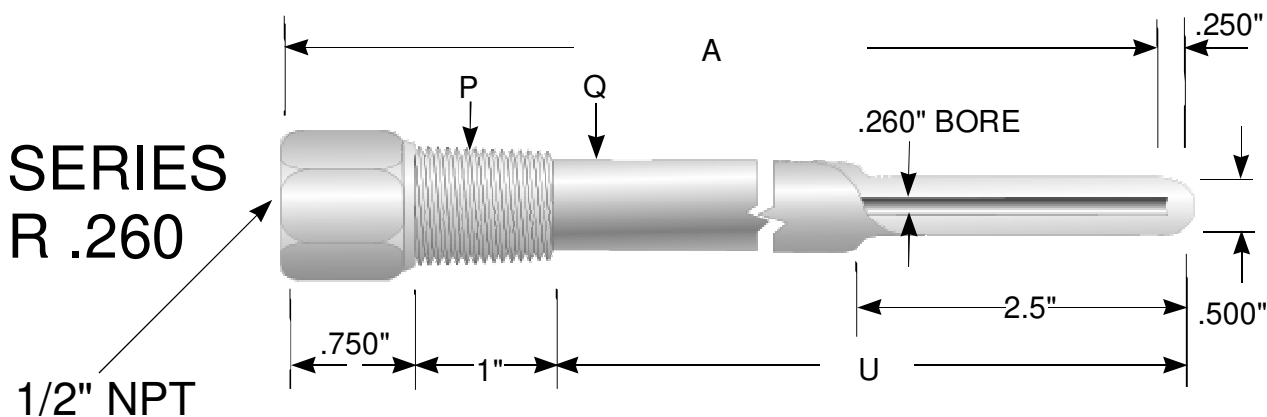


STI MANUFACTURING, INC.

STANDARD THREADED THERMOWELLS



SERIES R .260

EXTERNAL THREAD P	CODE NUMBER	INSERT LENGTH U	STEM LGTH A	SHANK DIA Q
1/2" NPT	1/2"-R .260-U 2 1/2	2-1/2"	4"	1/2"
		4-1/2"	6"	5/8"
		7-1/2"	9"	5/8"
		10-1/2"	12"	5/8"
		13-1/2"	15"	5/8"
		16-1/2"	18"	5/8"
3/4" NPT	3/4"-R .260-U 2 1/2	2-1/2"	4"	1/2"
		4-1/2"	6"	3/4"
		7-1/2"	9"	3/4"
		10-1/2"	12"	3/4"
		13-1/2"	15"	3/4"
		16-1/2"	18"	3/4"
1" NPT	1"-R .260-U 2 1/2	2-1/2"	4"	1/2"
		4-1/2"	6"	7/8"
		7-1/2"	9"	7/8"
		10-1/2"	12"	7/8"
		13-1/2"	15"	7/8"
		16-1/2"	18"	7/8"
22-1/2"	24"	7/8"		

SERIES RL .260

EXTERNAL THREAD P	CODE NUMBER	INSERT LENGTH U	STEM LGTH A	LAG EXT. T	SHANK DIA Q
1/2" NPT	1/2"-RL .260-U 2 1/2	2-1/2"	6"	T2	1/2"
		4-1/2"	9"	T3	5/8"
		7-1/2"	12"	T3	5/8"
		10-1/2"	15"	T3	5/8"
		13-1/2"	18"	T3	5/8"
		19-1/2"	24"	T3	5/8"
3/4" NPT	3/4"-RL .260-U 2 1/2	2-1/2"	6"	T2	1/2"
		4-1/2"	9"	T3	3/4"
		7-1/2"	12"	T3	3/4"
		10-1/2"	15"	T3	3/4"
		13-1/2"	18"	T3	3/4"
		19-1/2"	24"	T3	3/4"
1" NPT	1"-RL .260-U 2 1/2	2-1/2"	6"	T2	1/2"
		4-1/2"	9"	T3	7/8"
		7-1/2"	12"	T3	7/8"
		10-1/2"	15"	T3	7/8"
		13-1/2"	18"	T3	7/8"
		19-1/2"	24"	T3	7/8"