

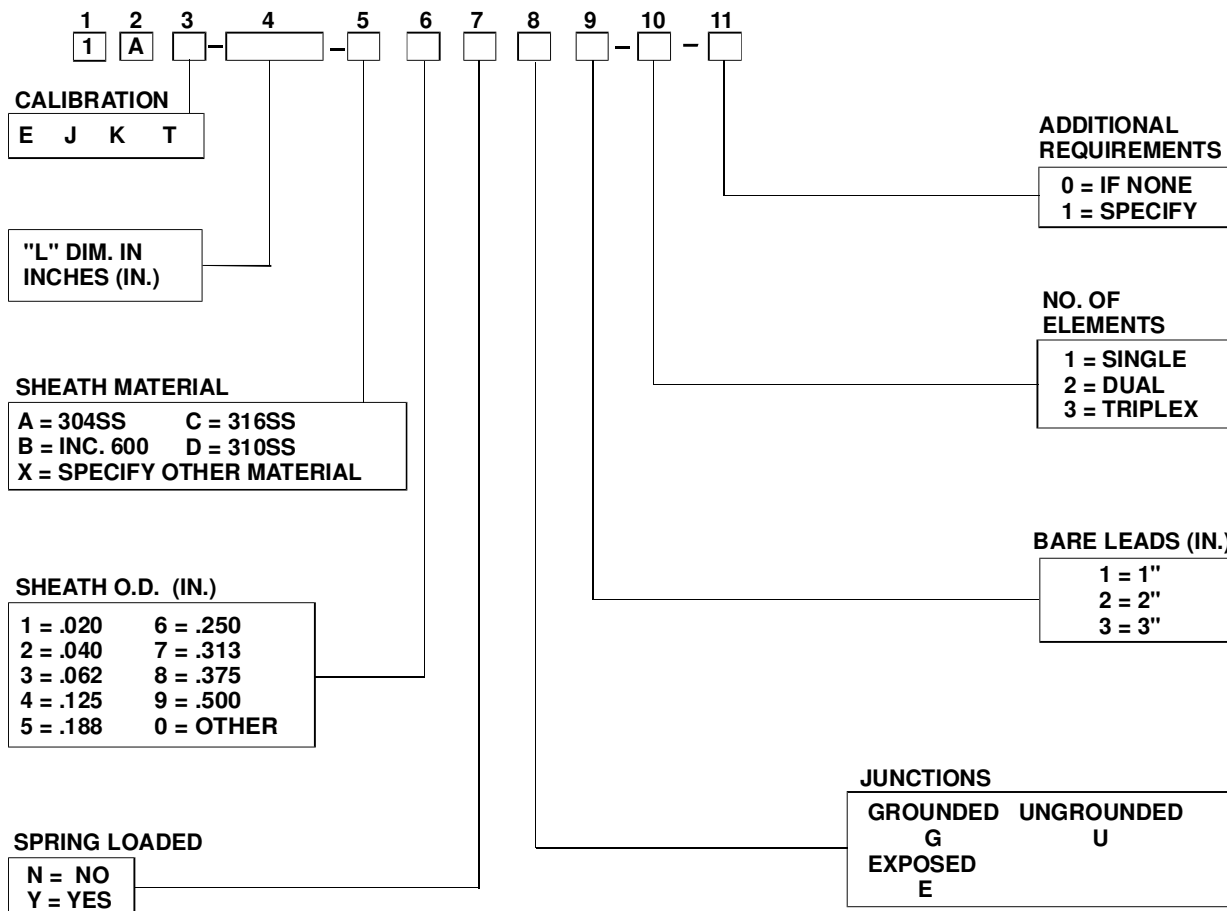
# STI MANUFACTURING, INC.

## STYLE 1A

SHEATH TYPE THERMOCOUPLE WITH WIRES EXPOSED

COLOR CODE

← BARE →



**STI MANUFACTURING, INC.**  
***STYLE 1A OPTIONS***

**SPRING LOADING**

