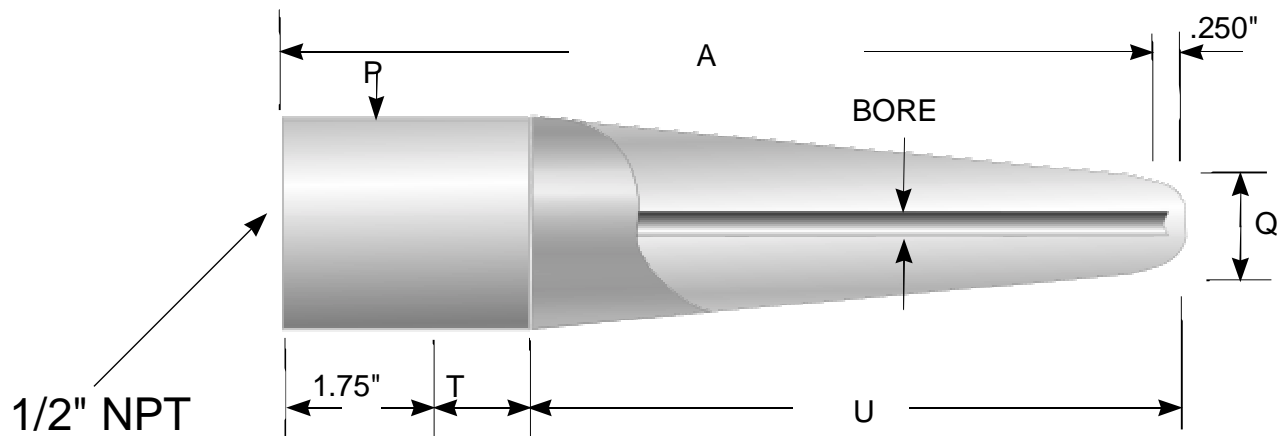


STI MANUFACTURING, INC.

STANDARD THREADED THERMOWELLS

SERIES WIH .260
 SERIES WIHL .260
 SERIES WIH .385
 SERIES WIHL .385



SERIES WIH .260

PIPE SIZE NOMINAL P	CODE NUMBER	INSERT LENGTH U	STEM LGTH A
3/4" WIH (1.050" DIA.) Q=.625"	3/4"-WIH .260-U 2 1/2	2-1/2"	4"
		4-1/2"	6"
		7-1/2"	9"
		10-1/2"	12"
		13-1/2"	15"
		16-1/2"	18"
1" WIH (1.315" DIA.) Q=.625"	3/4"-WIH .260-U 2 1/2	2-1/2"	4"
		4-1/2"	6"
		7-1/2"	9"
		10-1/2"	12"
		13-1/2"	15"
		16-1/2"	18"
		22-1/2"	24"

SERIES WIHL .260

PIPE SIZE NOMINAL P	CODE NUMBER	INSERT LENGTH U	STEM LGTH A	LAG EXT. T
3/4" WIH (1.050" DIA.) Q=.625"	3/4"-WIHL .260-U 2 1/2	2-1/2"	6	2
		4-1/2"	9	3
		7-1/2"	12	3
		10-1/2"	15	3
		13-1/2"	18	3
		16-1/2"	21	3
1" WIH (1.315" DIA.) Q=.625"	3/4"-WIHL .260-U 2 1/2	2-1/2"	6	2
		4-1/2"	9	3
		7-1/2"	12	3
		10-1/2"	15	3
		13-1/2"	18	3
		16-1/2"	21	3

SERIES WIH .385

PIPE SIZE NOMINAL P	CODE NUMBER	INSERT LENGTH U	STEM LGTH A
3/4" WIH (1.050" DIA.) Q=.625"	3/4"-WIH .385-U 2 1/2	2-1/2"	4"
		4-1/2"	6"
		7-1/2"	9"
		10-1/2"	12"
		13-1/2"	15"
		16-1/2"	18"
1" WIH (1.315" DIA.) Q=.625"	3/4"-WIH .385-U 2 1/2	2-1/2"	4"
		4-1/2"	6"
		7-1/2"	9"
		10-1/2"	12"
		13-1/2"	15"
		16-1/2"	18"
		22-1/2"	24"

SERIES WIHL .385

PIPE SIZE NOMINAL P	CODE NUMBER	INSERT LENGTH U	STEM LGTH A	LAG EXT. T
3/4" WIH (1.050" DIA.) Q=.625"	3/4"-WIHL .385-U 2 1/2	2-1/2"	6	2
		4-1/2"	9	3
		7-1/2"	12	3
		10-1/2"	15	3
		13-1/2"	18	3
		16-1/2"	21	3
1" WIH (1.315" DIA.) Q=.625"	3/4"-WIHL .385-U 2 1/2	2-1/2"	6	2
		4-1/2"	9	3
		7-1/2"	12	3
		10-1/2"	15	3
		13-1/2"	18	3
		16-1/2"	21	3