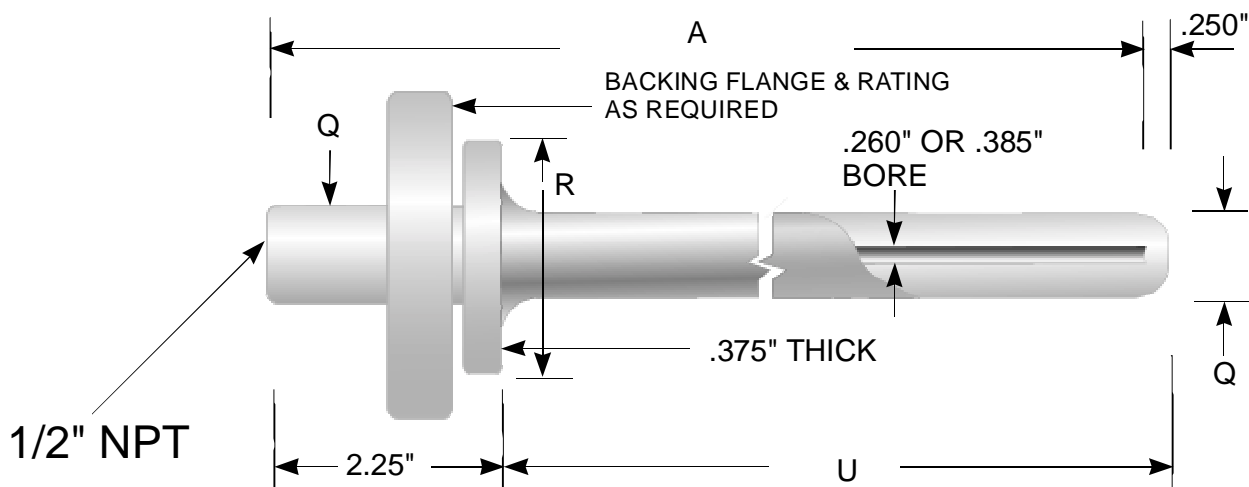


STI MANUFACTURING, INC.

VAN STONE THERMOWELLS

SERIES VS .260

SERIES VS .385



SPECIFY BACKING FLANGE IF NEEDED

SERIES VS .260

CODE NUMBER	INSERT LENGTH U	STEM LGTH A	SHANK DIA Q
VS .260-U 2	2"	4"	3/4"
	4"	6"	3/4"
	7"	9"	3/4"
	10"	12"	3/4"
	13"	15"	3/4"
	16"	18"	3/4"
	22"	24"	3/4"

SERIES VS .385

CODE NUMBER	INSERT LENGTH U	STEM LGTH A	SHANK DIA Q
VS .385-U 2	2"	4"	7/8"
	4"	6"	7/8"
	7"	9"	7/8"
	10"	12"	7/8"
	13"	15"	7/8"
	16"	18"	7/8"
	22"	24"	7/8"

OTHER DIMENSIONS

PIPE SIZE NOMINAL	ACTUAL DIA. P	RAISED FACE DIA. R
1"	1.315"	2"
1 1/2"	1.900"	2.875"