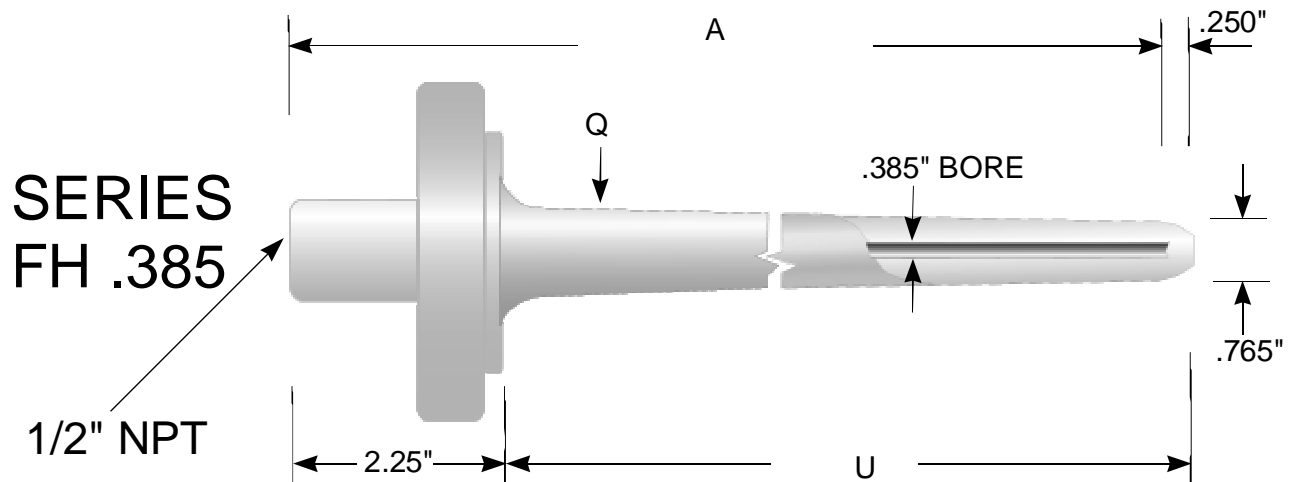
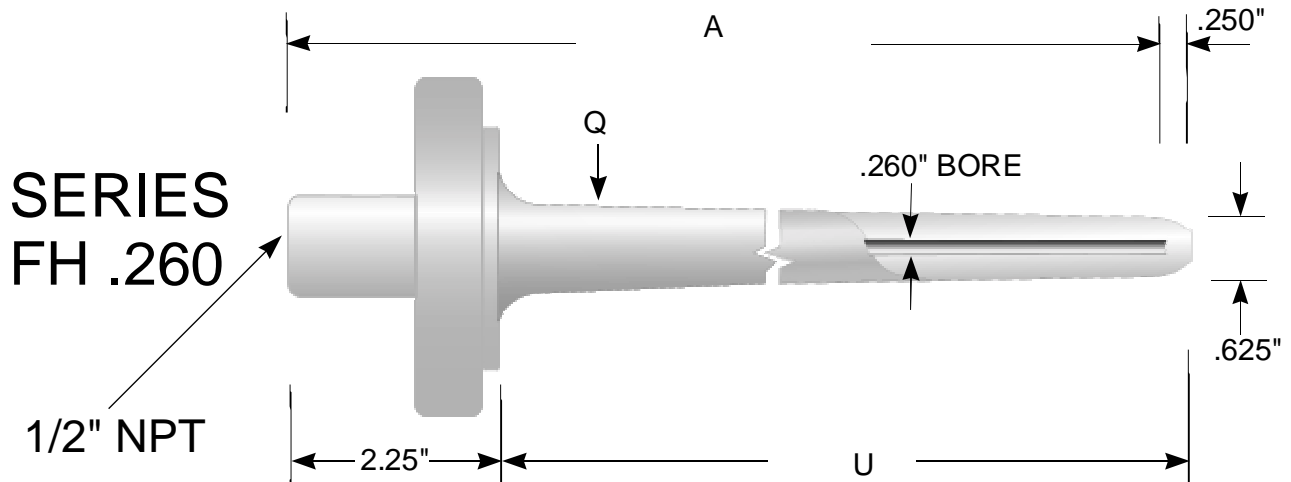


STI MANUFACTURING, INC.

FLANGED THERMOWELLS



SERIES FH .260

CODE NUMBER	INSERT LENGTH U	STEM LGTH A	SHANK DIA Q
FH .260-U 2	2"	4"	1" FLANGE & SMALLER Q=7/8"
	4"	6"	
	7"	9"	
	10"	12"	1 1/2" FLANGE & LARGER Q=1 1/16"
	13"	15"	
	16"	18"	
22"	24"		

SERIES FH .385

CODE NUMBER	INSERT LENGTH U	STEM LGTH A	SHANK DIA Q
FH .385-U 2	2"	4"	1" FLANGE & SMALLER Q=7/8"
	4"	6"	
	7"	9"	
	10"	12"	1 1/2" FLANGE & LARGER Q=1 1/16"
	13"	15"	
	16"	18"	
22"	24"		

SPECIFY FLANGE SIZE, RATING, AND MATERIAL.
FLANGES ARE STANDARD WELD UNLESS SPECIFIED.