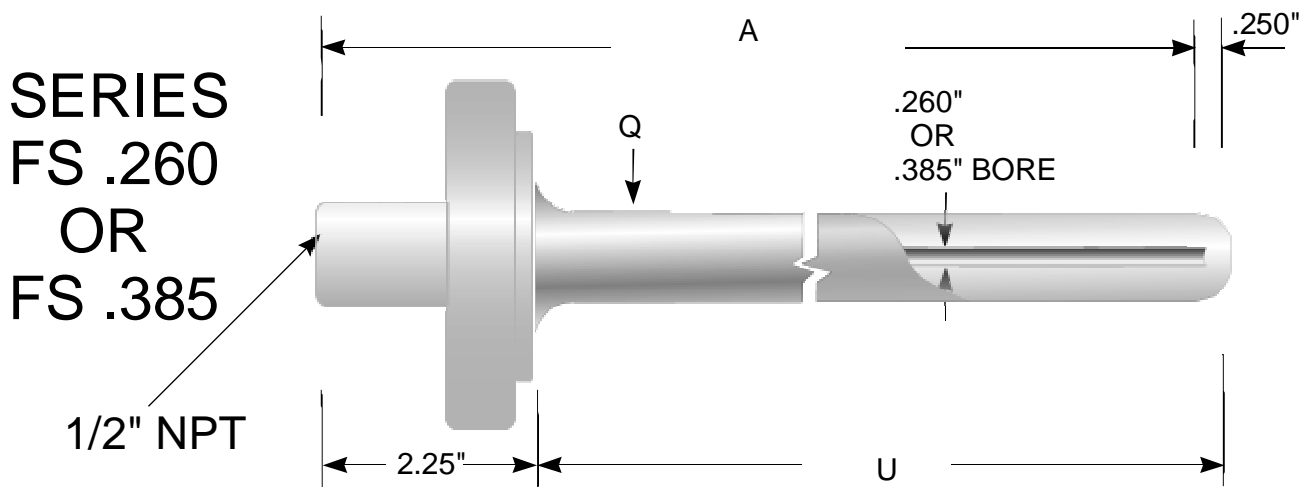
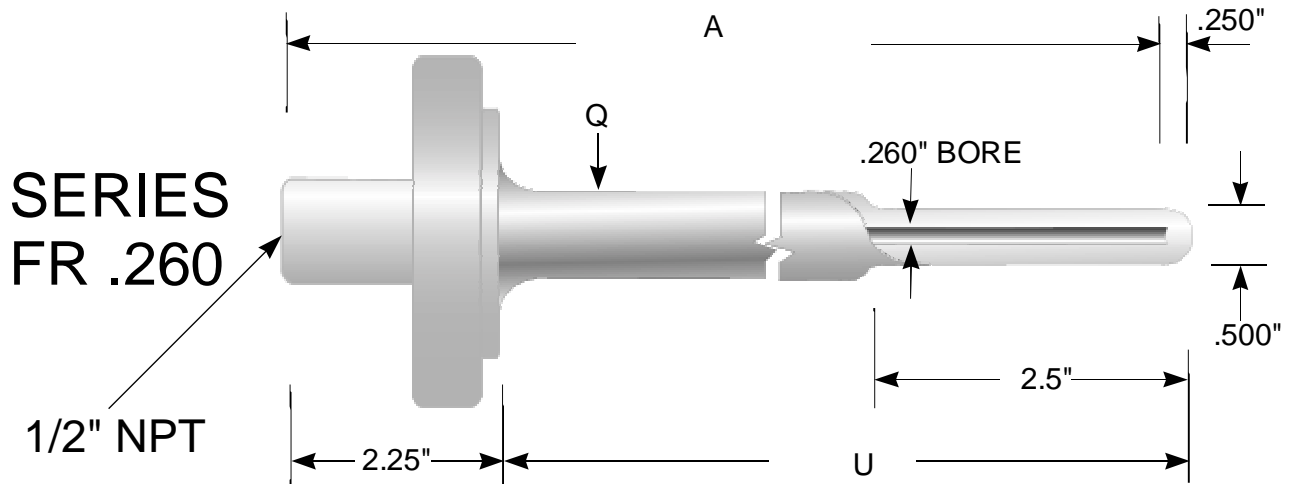


# STI MANUFACTURING, INC.

## FLANGED THERMOWELLS



SERIES FR .260

CODE NUMBER	INSERT LENGTH U	STEM LGTH A	SHANK DIA Q
FR .260-U 2	2"	4"	3/4"
	4"	6"	3/4"
	7"	9"	3/4"
	10"	12"	3/4"
	13"	15"	3/4"
	16"	18"	3/4"
	22"	24"	3/4"

SERIES FS .260 OR .385

CODE NUMBER	INSERT LENGTH U	STEM LGTH A	SHANK DIA Q
FS .260-U 2	2"	4"	7/8"
OR	4"	6"	7/8"
FS .385-U 2	7"	9"	7/8"
	10"	12"	7/8"
	13"	15"	7/8"
	16"	18"	7/8"
	22"	24"	7/8"

SPECIFY FLANGE SIZE, RATING, AND MATERIAL.  
FLANGES ARE STANDARD WELD UNLESS SPECIFIED.