

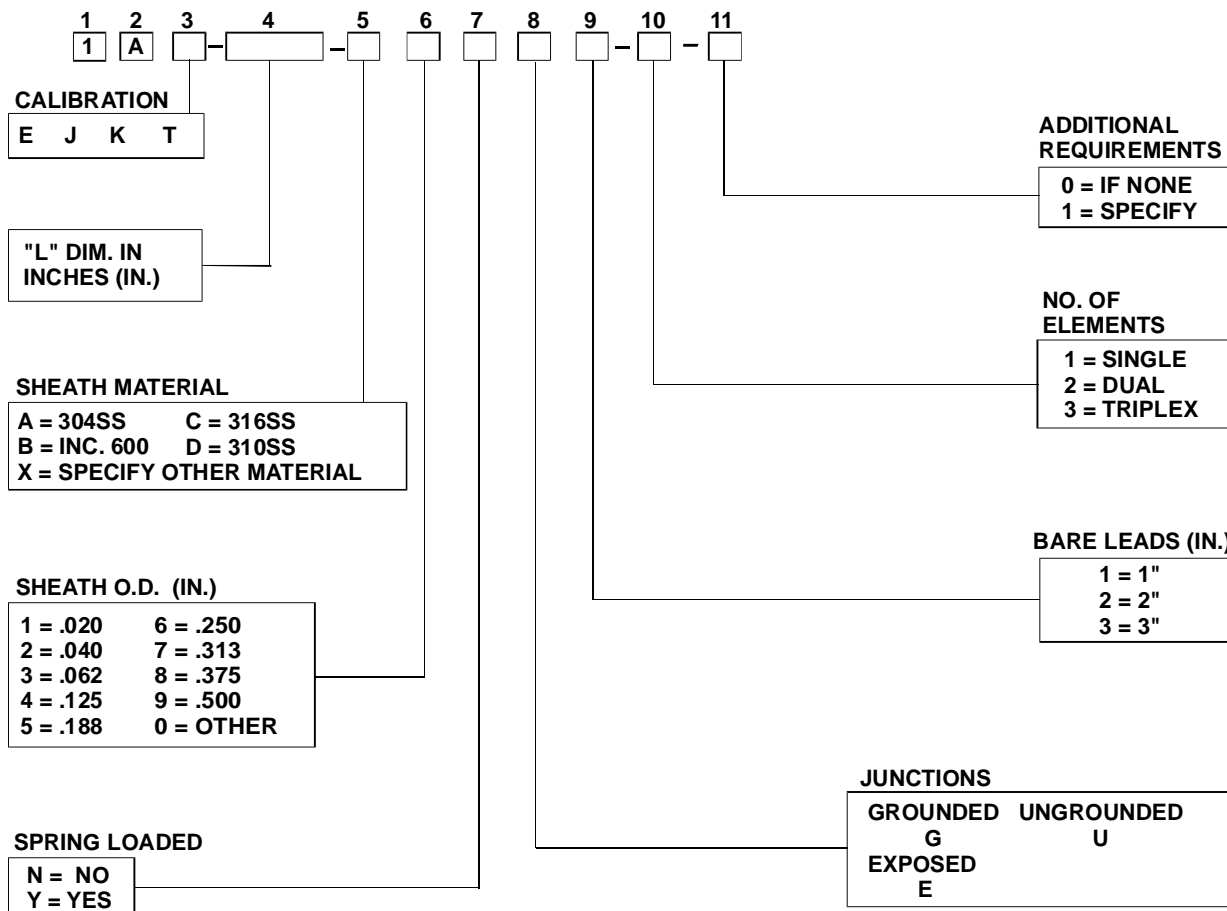
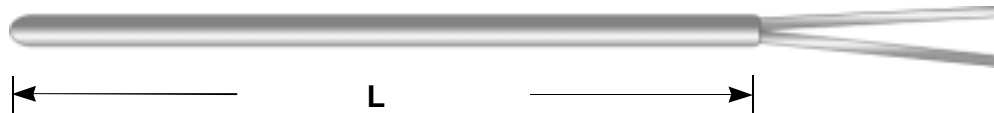
STI MANUFACTURING, INC.

STYLE 1A

SHEATH TYPE THERMOCOUPLE WITH WIRES EXPOSED

COLOR CODE

← BARE →



STI MANUFACTURING, INC.
STYLE 1A OPTIONS

SPRING LOADING

