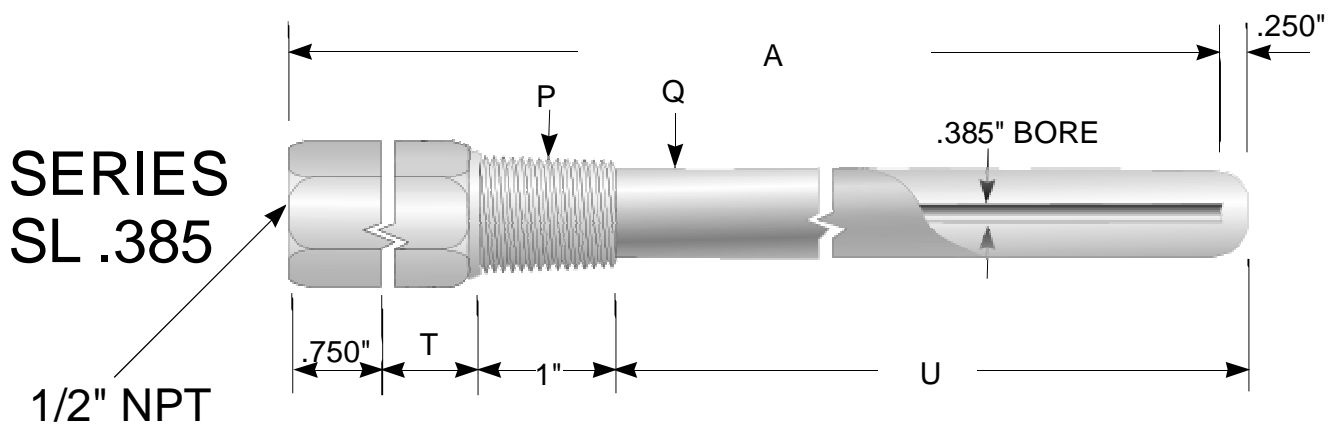
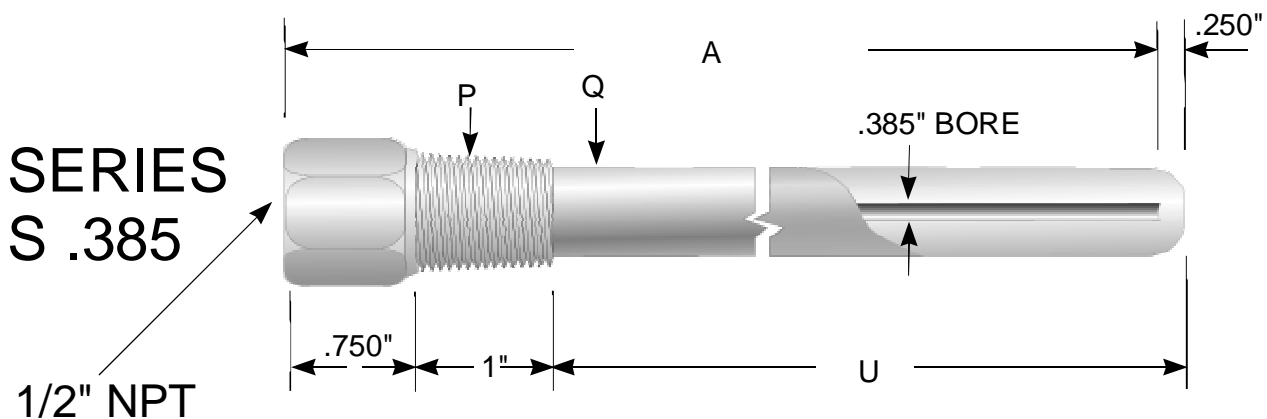


# STI MANUFACTURING, INC.

## STANDARD THREADED THERMOWELLS



SERIES S .385

| EXTERNAL THREAD P | CODE NUMBER         | INSERT LENGTH U | STEM LGTH A | SHANK DIA Q |
|-------------------|---------------------|-----------------|-------------|-------------|
| 3/4" NPT          | 3/4"-S .385-U 2 1/2 | 2-1/2"          | 4"          | 49/64"      |
|                   |                     | 4-1/2"          | 6"          | 49/64"      |
|                   |                     | 7-1/2"          | 9"          | 49/64"      |
|                   |                     | 10-1/2"         | 12"         | 49/64"      |
|                   |                     | 13-1/2"         | 15"         | 49/64"      |
|                   |                     | 16-1/2"         | 18"         | 49/64"      |
| 1" NPT            | 1"-S .385-U 2 1/2   | 2-1/2"          | 4"          | 7/8"        |
|                   |                     | 4-1/2"          | 6"          | 7/8"        |
|                   |                     | 7-1/2"          | 9"          | 7/8"        |
|                   |                     | 10-1/2"         | 12"         | 7/8"        |
|                   |                     | 13-1/2"         | 15"         | 7/8"        |
|                   |                     | 16-1/2"         | 18"         | 7/8"        |
|                   |                     | 22-1/2"         | 24"         | 7/8"        |

SERIES SL .385

| EXTERNAL THREAD P | CODE NUMBER          | INSERT LENGTH U | STEM LGTH A | LAG EXT. T | SHANK DIA Q |
|-------------------|----------------------|-----------------|-------------|------------|-------------|
| 3/4" NPT          | 3/4"-SL .385-U 2 1/2 | 2-1/2"          | 6"          | T2         | 49/64"      |
|                   |                      | 4-1/2"          | 9"          | T3         | 49/64"      |
|                   |                      | 7-1/2"          | 12"         | T3         | 49/64"      |
|                   |                      | 10-1/2"         | 15"         | T3         | 49/64"      |
|                   |                      | 13-1/2"         | 18"         | T3         | 49/64"      |
|                   |                      | 16-1/2"         | 24"         | T3         | 49/64"      |
| 1" NPT            | 1"-SL .385-U 2 1/2   | 2-1/2"          | 6"          | T2         | 7/8"        |
|                   |                      | 4-1/2"          | 9"          | T3         | 7/8"        |
|                   |                      | 7-1/2"          | 12"         | T3         | 7/8"        |
|                   |                      | 10-1/2"         | 15"         | T3         | 7/8"        |
|                   |                      | 13-1/2"         | 18"         | T3         | 7/8"        |
|                   |                      | 16-1/2"         | 24"         | T3         | 7/8"        |